



Maya

Forced ventilation pellet stove
Cladding: enamelled steel
Top: steel



Bordeaux Grigio Bianco
metallico metallico metallico

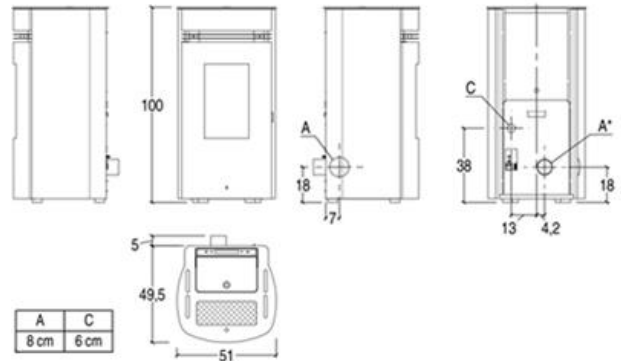


Energy Label



Product Fiche

Nominal heat output kW: 8,2
Dimensions WxDxH cm: 51x50x100
Stove interior: steel
Baffle plate/Firebox and Brazier: cast iron
Flue size \varnothing cm: 8
Exhaust fumes series: rear
Exhaust fumes with optional kit: side - left/ right
Ash drawer: removable
Door: cast iron, with estetic door in steel
Ceramic glass: resitant up to 750°C
Door handle: painted steel
Hopper capacity Kg: 16
Remote control: yes
Humidifier: yes
Stove control unit: yes



Timer-thermostat with programming: 6 daily time bands

Remote Control System: yes

Night function: yes

Eco Function: yes

Energy Saving: yes

Room heating capacity (min-max) m^3 : 140-235

Nominal thermal output (min-max) kW: 2,6-8,2

Output control (positions): 4

Efficiency (max) %: 89,1

Consumption at rated heat output (min-max) Kg/h: 0,6-1,8

Maximum electric power (on ignition) Watt: 330

Electric power in operation Watt: 37

Total weight Kg: 98

PIAZZETTA
FIREPLACES & STOVES
Piazzetta Australia
12 Government Road Eden NSW 2551
www.piazzetta.com.au
sales@piazzetta.com.au
02 64962277